

HDI 100 SERIES

ADVANCED 3D SCANNERS

HDI 3D Scanners offer the smallest, advanced 3D scanning solution using stereo cameras and blue LED projection technology. Designed for demanding applications, HDI scanners add high-resolution 3D scanning capabilities into your machines or processes.



HIGH PERFORMANCE 3D SCANNING

0.3

seconds per scan
with full-field scanning

1.97

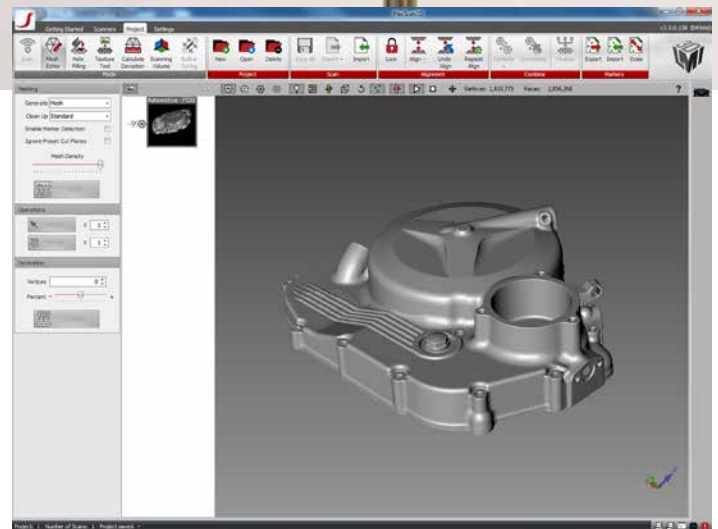
million polygons
up to 985,000 points

SIMPLE SETUP AND INTEGRATION

HDI 3D scanners capture millions of measurements with minimal setup time. Simply plug in the system and install the software on your computer, and it is ready for scanning. LMI's simple-to-use SDKs and connectivity options give you complete control over integrating 3D scanning into your systems or devices.

AUTOMATE THE SCANNING PROCESS

By connecting multiple HDI 3D scanners to a single PC, you can automate the 3D scanning process. The system generates complete digital 3D models without any motion control to reduce scanning time.



All HDI 3D Scanners come with FlexScan3D software.

SEAMLESS 3D SCANNING EXPERIENCE

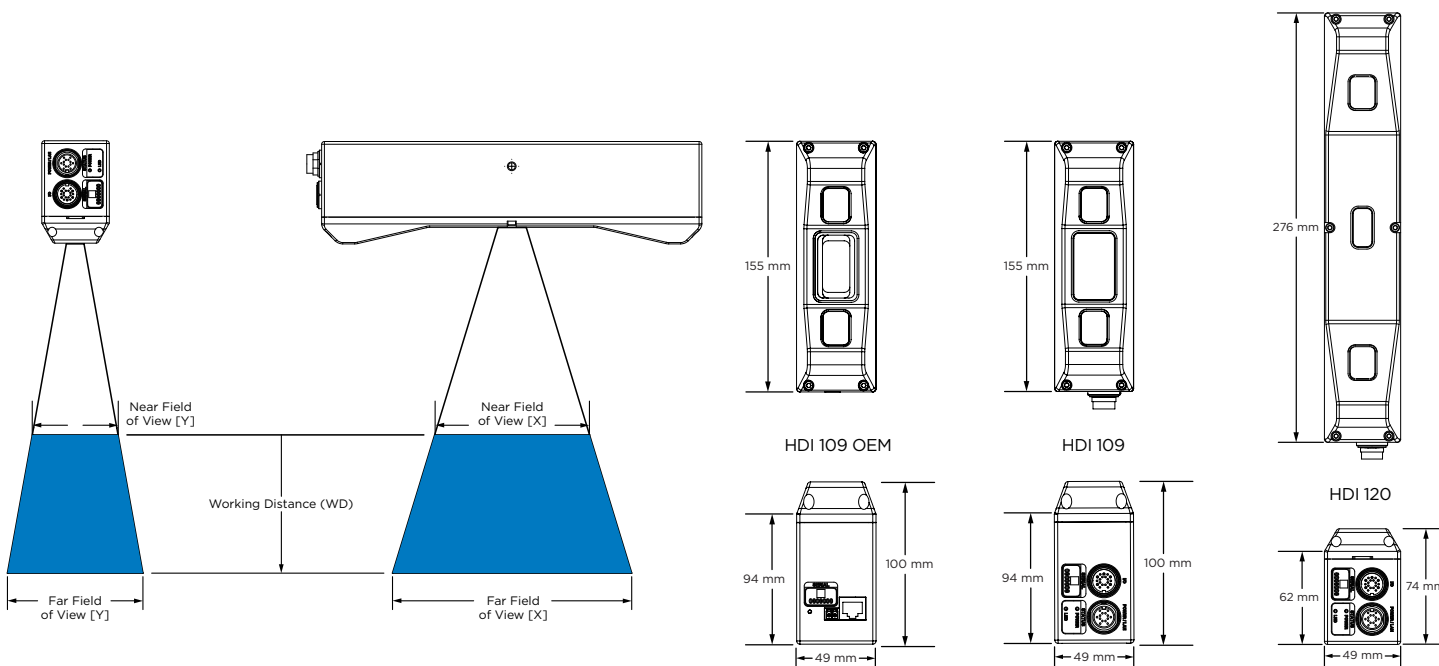
Using the included FlexScan3D software, you can process the data directly at the capturing stage with built-in data editing, alignment, and merging capabilities without exporting to a separate post-processing software application. The final output can be exported into different file formats depending on your needs.

HDI 100 SERIES MODELS	109 OEM Package*	109*	120
Field of View (diagonal) (mm)	110 - 124	110 - 124	170 - 258
Field of View (X-Y) (mm)	87 x 68 - 88 x 87	87 x 68 - 88 x 87	124 x 120 - 190 x 175
Clearance Distance (mm)	157	157	300
Depth of Field (mm)	70	70	180
Point-to-Point Distance (mm)	0.080 - 0.100	0.080 - 0.100	0.110 - 0.180
VDI/VDE Accuracy (mm)**	0.034	0.034	0.060*
Housing	Gasketed aluminum enclosure	Gasketed aluminum enclosure, IP67	Gasketed aluminum enclosure, IP67
Input Power	12 VDC (25 W), Ripple +/- 10%	24 to 48 VDC (25 W), Ripple +/- 10%	24 to 48 VDC (25 W), Ripple +/- 10%
Dimensions (mm)	49 x 100 x 155	49 x 100 x 155	49 x 74 x 276
Weight (kg)	1.04	1.04	1.35

*Specifications preliminary, subject to change

**Based on 2634 Part 2

ALL HDI 100 SERIES MODELS	
Scan Speed	0.3 seconds per scan
Camera Resolution	1.3 MP
Average Points	985,000 per scan
Average Polygons	1.97 million per scan
Scanning Software	FlexScan3D
Calibration	Pre-Calibrated
Geometry Formats	PLY, OBJ, STL, ASC, FBX, 3D3
Scanner Interface	Gigabit Ethernet
Operating Temperature	0 to 50°C
Storage Temperature	-30 to 70°C
Vibration Resistance	10 to 55 Hz, 1.5 mm double amplitude in X, Y and Z directions, 2 hours per direction
Shock Resistance	15 g, half sine wave, 11 ms, positive and negative for X, Y and Z directions
System Requirements	Windows 7 (64-bit) Operating System, Quad-core Intel 2 GHz CPU or better, Gigabit Ethernet Interface, 4 GB Memory or greater, 512 MB Video Card, 250 GB Hard Drive Space or more



AMERICAS
LMI Technologies Inc.
Delta, BC, Canada

EMEAR
LMI Technologies GmbH
Teltow/Berlin, Germany

ASIA PACIFIC
LMI (Shanghai) Trading Co., Ltd.
Shanghai, China



LMI Technologies has offices worldwide. All contact information is listed at lmi3d.com/contact/