

Gocator 2000 SERIES

ALL-IN-ONE 3D SMART PROFILE SENSORS

The Gocator 2000 series of 3D smart sensors reduces the cost of factory automation by making product validation easy to implement and maintain. Simple to integrate and industrially designed for the rugged needs of the factory floor, Gocator 3D smart sensors are packed with built-in tools that can have a big impact on your bottom line.

- PRE-CALIBRATED STANDALONE, 3D SMART SENSORS
- SETUP & CONTROL VIA WEB BROWSER
- BUILT-IN TOOLS, NO PROGRAMMING NEEDED
- OPEN SOURCE SDK
- COMPACT, LIGHTWEIGHT, & ROBUST



Gocator 2030

EASE OF USE

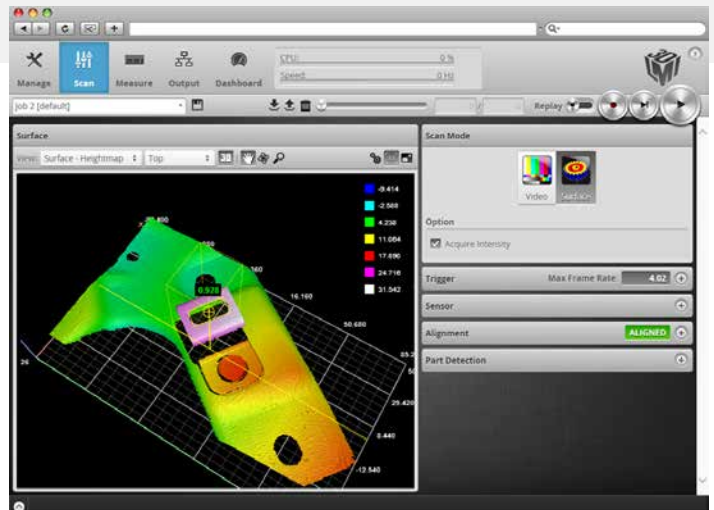
Gocator's built-in GUI allows for flexible configuration of profiling settings and measurement tools in all major web browsers, on any computer and operating system. With no additional software to install, Gocator's out-of-the-box setup and configuration is fast and easy.

STANDALONE & SCALABLE

Single sensors require no additional controllers, amplifiers or PCs. Gocator systems can effortlessly scale to multiple sensors using LMI Master hubs. Masters take care of power distribution, laser safety interlock, encoder and digital input handling, and microsecond synchronization.

COMPACT & LIGHT WEIGHT

Gocator's small footprint and less than 1.5 kg weight make it ideal for fitting into tight spaces and mounting onto robotic arms.

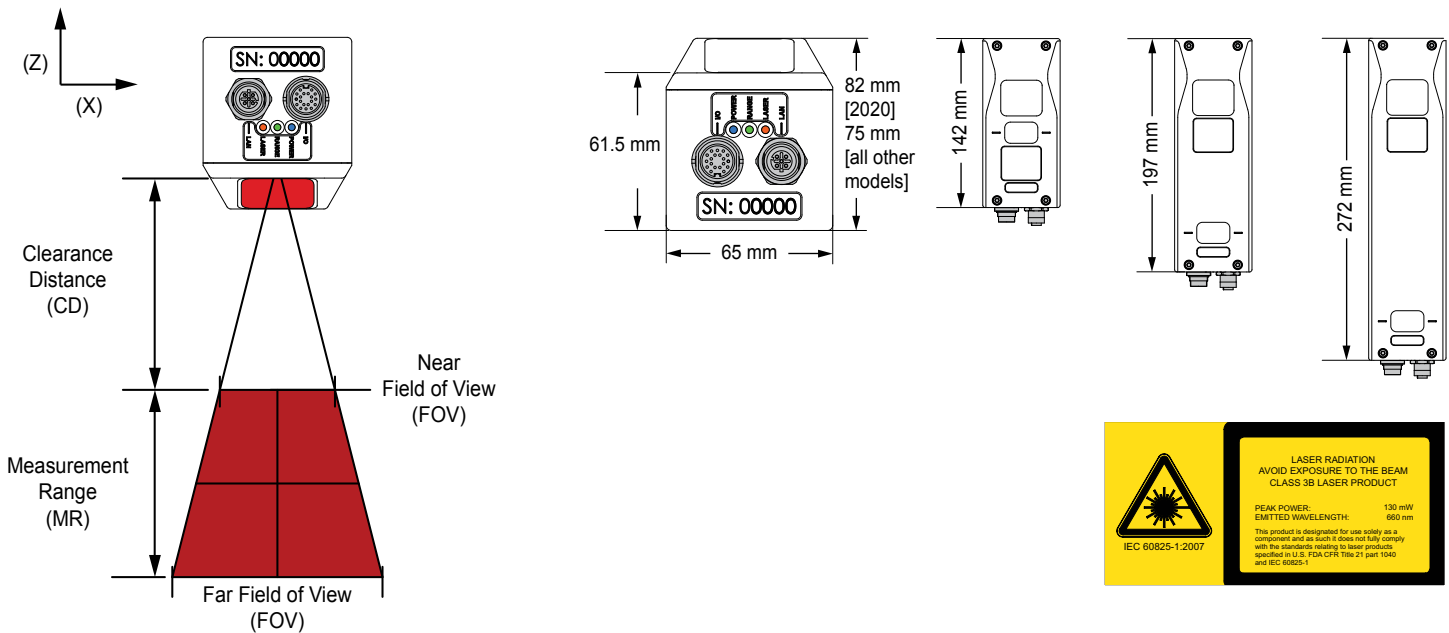


Gocator's browser-based graphical user interface

MODEL	2020	2030	2040	2050	2070	2080
Data Points / Profile	640	640	640	640	640	640
Linearity Z (+/- % of MR)	0.02	0.02	0.02	0.02	0.05	0.05
Resolution Z (mm)	0.006 - 0.014	0.008 - 0.018	0.017 - 0.049	0.025 - 0.092	0.074 - 0.267	0.123 - 0.650
Resolution X (mm)	0.03 - 0.04	0.088 - 0.15	0.19 - 0.34	0.30 - 0.60	0.55 - 1.1	0.75 - 2.2
Clearance Distance (CD) (mm)	40	90	190	300	400	350
Measurement Range (MR) (mm)	25	80	210	400	500	800
Field of View (FOV) (mm)	18 - 25	47 - 85	96 - 194	158 - 365	308 - 687	390 - 1260
Recommended Laser Class	2M	2M	3R	3R	3B	3B
Dimensions (mm)	65x82x142	65x75x142	65x75x197	65x75x272	65x75x272	65x75x272
Weight (kg)	1	1	1.15	1.45	1.45	1.45

Optical models, laser classes, and packages can be customized. Contact LMI for more details.
 Specifications stated are based on standard laser classes. Resolution Z and Linearity Z may vary for other laser classes.

ALL 2000 SERIES MODELS	
Scan Rate	Approx. 300 Hz - 5000 Hz
Interface	100 Mbaud Ethernet
Inputs	Differential Encoder, Laser Safety Enable, Trigger
Outputs	2x Digital Output, RS-485 Serial (115 Kbaud), 1x Analog Output (4 - 20 mA)
Input Voltage (Power)	+24 to +48 VDC (10 Watts); Ripple +/- 10%
Housing	Gasketed aluminum enclosure, IP 67
Operating Temperature	0 to 50°C
Storage Temperature	-30 to 70°C
Scanning Software	Browser-based GUI and open source SDK for configuration and real-time 3D visualization. Open source SDK, native drivers, and industrial protocols for integration with user applications, third-party image processing applications, and PLCs.



AMERICAS
 LMI Technologies Inc.
 Delta, BC, Canada

EMEAR
 LMI Technologies GmbH
 Teltow/Berlin, Germany

ASIA PACIFIC
 LMI (Shanghai) Trading Co., Ltd.
 Shanghai, China



LMI Technologies has offices worldwide. All contact information is listed at lmi3d.com/contact/